

# UDU 5 M P/S MN

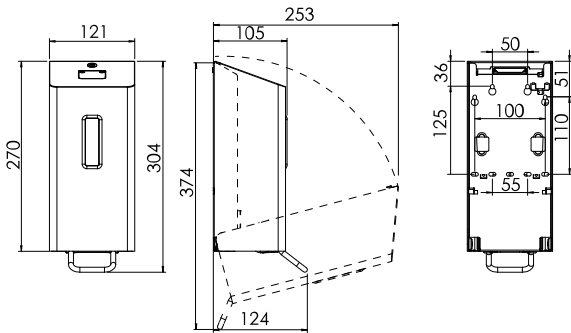
Manual liquid soap dispenser with open refill system

Art.-No. 1423517



**OPHARDT HYGIENE-TECHNIK GmbH + Co. KG**  
Lindenau 27 | 47611 Issum | Germany  
Tel.: +49 (0) 28 35 18-10 | Fax +49 (0) 28 35 18-77  
planer@ophardt.com | www.ophardt.com

## UDU 5 X10 Manual



Maße in mm - Dimensions in mm



## References

airports, train stations, schools, kindergardens, hotels, restaurants, commercial kitchen, food processing areas, prisons, exhibitions, conference centres, shopping centres, fitness and sports centres, industry, laboratories, administration facilities

## Usage examples

washrooms, toilets, baths, nursing and examination rooms, kitchens, production facilities, entrance area

## Technical data

Dispenser type:	refillable dispenser
Housing:	Stainless steel, matte black powder coated (RAL 9005)
Filling volume (ml):	600 ml
Dosing pump:	long-life plastic soap pump
Dosage quantity:	0.6 / 1.0 / 1.4 ml/stroke
Filling good:	Liquid soaps, Disinfectant
Operating type:	Stainless steel lever
with/without viewing window:	Clear
with drip tray:	No
Lock:	SanTRAL vandalism-proof lock, plastic
Mounting:	Wall mounting with 4 screws and wall plugs, recommended distance to the countertop min. 20 cm
Cleaning:	manual wipe disinfection, not dishwashersafe, not autoclavable
Warranty:	5 years
Net weight:	1.41 kg
Dimensions (W x H x D) in mm:	121x304x124
Hinweis:	Before using new products, please always check the compatibility of the product and the dispensing system to ensure proper functionality.

## Compatible accessories

disinfection point SanTRAL	
High-quality hygiene stand for effective hand disinfection	Art.-No. 1423337
disinfection point with wheels SanTRAL	
High-quality hygiene stand with rolls for effective hand disinfection	Art.-No. 1423338

Please see other accessories in our Online Product Catalogue.